

BP SERIES HAND PUMP

OIL CAPACITY: 330-7500 ml
MAX. PRESSURE: 700 Bar



BP-2300A



BP-900A



BPD-2300A



BP-4500



BPD-4500

FEATURES AND BENEFITS

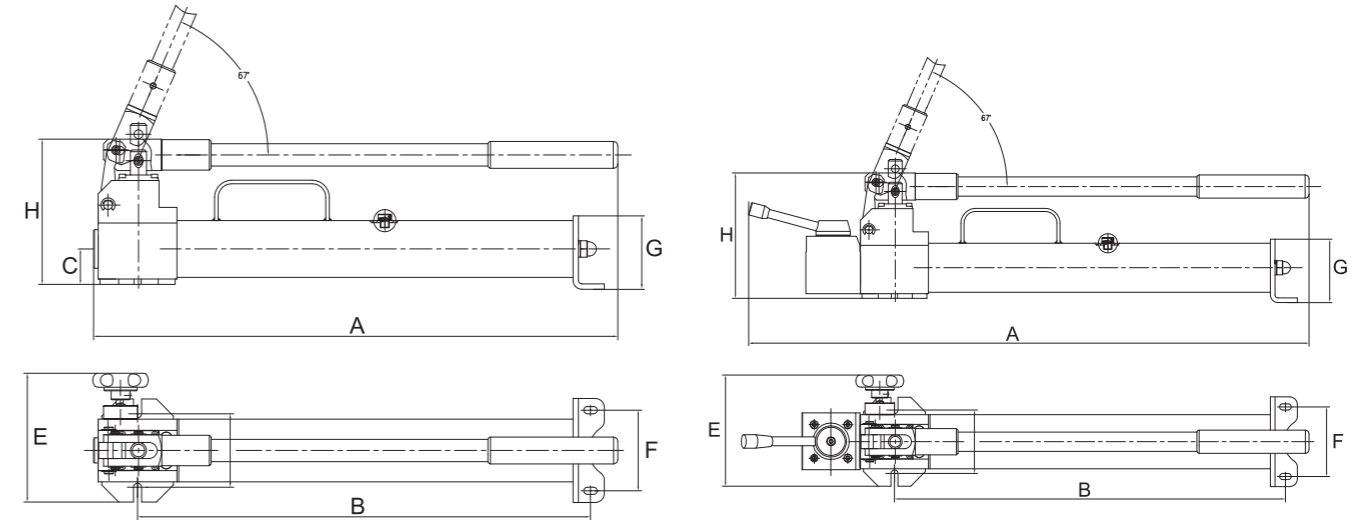
- High strength alloy steel construction for increased durability
- Compact, easy to carry
- All pumps are two speed design for efficient operation
- Internal safety valve for overload protection

Model	Cylinder Type	Speed	Oil Capacity cm ³	Pressure Stage		Flow Per Stroke		Handle Force kg	Oil Port Thread	Weight kg
				1st bar	2nd bar	1st cm ³	2nd cm ³			
BP-280 *	Single Acting	Two	330	14	700	7.8	0.8	35	3/8-18NPT	2.2
BP-900A			900	25	700	33.0	3.3	49	3/8-18NPT	6.8
BP-2300A			2300	25	700	33.0	3.3	49	3/8-18NPT	10.1
BP-4500			4500	25	700	26.0	2.9	51	3/8-18NPT	22.5
BP-7500			7500	25	700	125	5.8	51	3/8-18NPT	30
BPD-900A	Double Acting	Two	900	25	700	33.0	3.3	49	3/8-18NPT	8.8
BPD-2300A			2300	25	700	33.0	3.3	49	3/8-18NPT	11.6
BPD-4500			4500	25	700	26.0	2.9	51	3/8-18NPT	23
BPD-7500			7500	25	700	125	5.8	51	3/8-18NPT	30.5

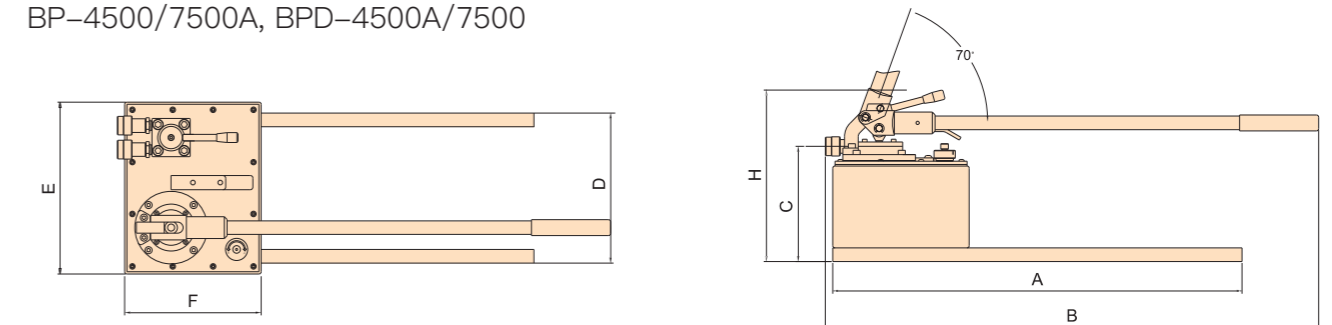
BP SERIES HAND PUMP

OIL CAPACITY: 330-7500 ml
MAX. PRESSURE: 700 Bar

BP-280/900A/2300A, BPD-900A/2300A



BP-4500/7500A, BPD-4500A/7500



Model	Cylinder Type	Speed	A	B	C	D	E	F	G	H	Weight kg
			mm	mm	mm	mm	mm	mm	mm	mm	
BP-280	Single Acting	Two	375	290	-	80	110	67	-	143	2.2
BP-900A			582.5	505.5	47	108	130	82	82	165	6.8
BP-2300A			739	508	47	125	138	-	82	161	10.1
BP-4500			580	608	163	275	315	250	-	267	22.5
BP-7500			800	904	211	275	315	250	-	315	30
BPD-900A	Double Acting	Two	642.5	505.5	47	108	130	82	82	165	8.8
BPD-2300A			769	508	47	125	138	-	82	161	11.6
BPD-4500			580	608	163	275	315	250	-	267	22.5
BPD-7500			800	904	211	275	315	250	-	315	30